

# DR65A3000

## Ventilating Dehumidification System

### SPECIFICATION DATA

#### DR65 Capacities and Performance

<b>Part Number:</b>	DR65A3000
<b>Blower:</b>	160 CFM @ 0.0 in. WG 100 CFM @ 0.6 in. WG
<b>Supply Voltage:</b>	120 VAC; 60 Hz.
<b>Amps:</b>	5.2 A
<b>Power transformer to R/C terminals:</b>	24 VAC, 0.85A
<b>Energy performance:</b>	2.22 liters (4.7 pints) per kilowatt hour (KWH) Energy
<b>Refrigerant:</b>	R-410A
<b>Operating Temp Range (outside cabinet):</b>	34 – 135 °F (1.1 – 57.2 °C)
<b>Capacity:</b>	34 pints/day (60 °F [15.6 °C], 60 %RH) 47 pints/day (70 °F [21.1 °C], 60 %RH) 65 pints/day (80 °F [26.7 °C], 60 %RH)
<b>Coverage:</b>	Up to 1800 sq. ft.
<b>Duct Connections:</b>	8 in. Round Inlet 8 in. Round Outlet (ABS Plastic)
<b>Filter Efficiency:</b>	Standard MERV-11
<b>Drain Connection:</b>	3/4 in. threaded female NPT, with attached 3/4 in. threaded male NPT
<b>Dimensions (See Fig. 1):</b>	
<b>Width:</b>	12 in.
<b>Height:</b>	12 in.
<b>Length:</b>	28-1/2 in. (with collars)
<b>Weight:</b>	60 lbs (27 Kg)
<b>Shipping Specs</b>	
<b>Width:</b>	17 in.
<b>Height:</b>	16.7 in.
<b>Length:</b>	32.9 in.
<b>Weight:</b>	68 lbs (31 Kg)
<b>Optional Parts</b>	
Replacement Filter	50049537-005
Motorized Ventilation Damper	EARD6
Bypass Damper	CPRD8/U
<b>ETL listed per UL474 and CSA 22.2 No. 92 Energy Star rated</b>	
<b>For more information call 1-800-468-1502 or visit our website at <a href="http://customer.honeywell.com">customer.honeywell.com</a>.</b>	

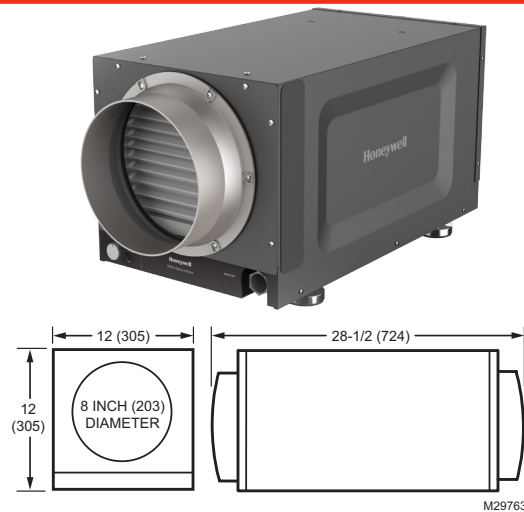


Fig. 1. Dimensions in in. (mm).

Honeywell Whole-House Dehumidifiers are designed to help maintain proper humidity levels in the home. Lower humidity levels feel more comfortable, and helps safeguard against problems from excess moisture in the home such as mold, mildew, warped wood, peeling of paint, or musty odors. Honeywell Whole Home Dehumidification Systems are Energy Star rated, providing efficient and economical operation.

#### Dehumidification

The Honeywell DR65A3000 dehumidifier utilizes refrigeration and internal air circulation to cool the incoming air stream below its dew point. Water condenses and drains off the coil, sending drier air back into the house.

- Can remove up to 65 pints/day of moisture.
- Energy Star rated
- Integrated set and forget humidistat
- Side ducted exhaust
- Reduced noise during operation
- MERV 11 air filtration

#### Ventilation

The Honeywell DR65A3000 has a separate control for ventilation, so the powerful onboard blower can be used to efficiently bring fresh air into the house even when dehumidification is not needed.

#### Simplified Wiring

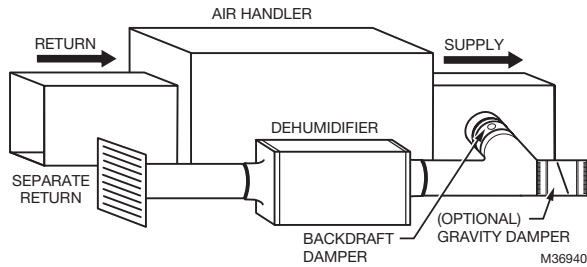
The Honeywell DR65A3000 has an onboard dehumidistat that allows the unit to run without any additional wiring. In addition, Honeywell dehumidifiers can be controlled by a variety of 24-volt remote wired and wireless controls.

The DR65A3000 allows the use of a 24V normally closed float switch or water sensor to simplify installation in a drain pan. This will allow the external float switch to kill power to the compressor in the event of water blockage.



**A**

## Dedicated Return to Main Supply

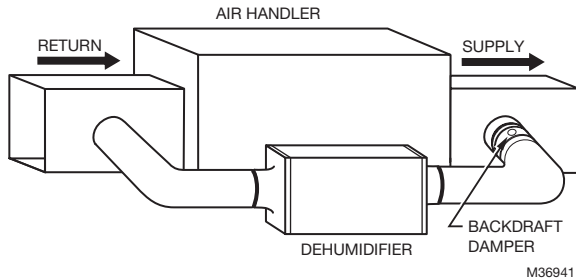


Ideal when...

- Access to a dedicated central return for DR65A3000 is available.
- Combined with A/C operation; requires backdraft damper on the exhaust port to minimize backdraft when DR65A3000 is not on but A/C is.
- Providing dry air to a specific area with an optional 20% open gravity damper on DR65A3000 supply.

**B**

## Main Return to Main Supply

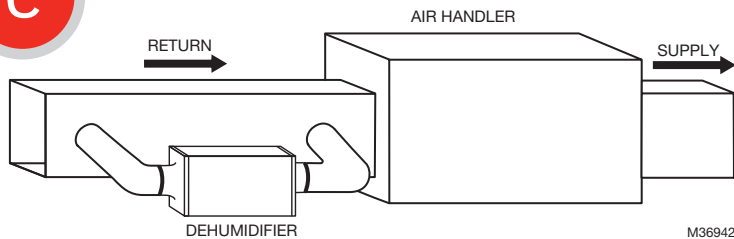


Ideal when...

- Running DR65A3000 when not running A/C. Requires damper on the exhaust port to minimize backdraft when DR65A3000 is not on but A/C is.
- Access to a dedicated central return for DR65A3000 is not available.
- System fan should run with dehumidifier for best results.

**C**

## Main Return to Main Return

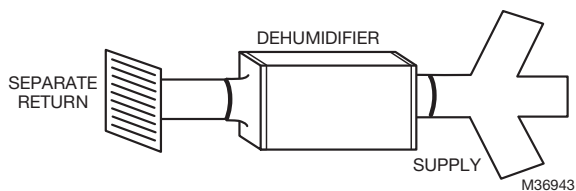


Ideal when...

- Running DR65A3000 with A/C operation.
- System fan must run with dehumidifier.
- Minimizing discharge air temperature (DAT) increase is preferred.
- Access to a dedicated central return for DR65A3000 is not available.

**D**

## Dedicated Return to Dedicated Supply



Ideal when...

- DR65A3000 will not be ducted to a forced air HVAC system.



1. Never operate a unit with a damaged power cord. If the power cord is damaged it must be replaced by the manufacturer, its service agent, or similarly qualified person in order to avoid a hazard.
2. The appliance is not intended for use by persons (including children) with reduced physical, sensory, or mental capabilities, or lack of experience and knowledge, unless they have been given supervision or instruction concerning use of the appliance by a person responsible for their safety. Children should be supervised to ensure that they do not play with the appliance.

### Home and Building Technologies

Honeywell  
1985 Douglas Drive North  
Golden Valley, MN 55422

<http://customer.honeywell.com>

® U.S. Registered Trademark.  
© 2017 Honeywell International Inc.  
33-00328-01 M.S. 07-17  
Printed in U.S.A.

**Honeywell**