

# Instruction Sheet

## VIQUA Water Filters Installation and Replacement

### Section 1 Safety Information

#### 1.1 Safety Precautions

#### ⚠ WARNING



**WARNING:** This product can expose you to chemicals including Phthalates, which are known to the State of California to cause cancer and birth defects or other reproductive harm. For more information go to [www.P65Warnings.ca.gov](http://www.P65Warnings.ca.gov).

#### ⚠ CAUTION



If water pipes are used to ground electrical system, appliances, or phone, install a jumper wire.

#### NOTICE



Read and understand this Instruction Sheet before operating and performing any maintenance on this equipment.

### Section 2 Installation

#### ⚠ WARNING

- DO NOT install on line pressures above 100 psi (6.9 bar).
- DO NOT overtighten pipe fittings.
- DO NOT use wicking or sealer, Teflon™ tape is recommended.
- DO NOT use torch near plastic housing. All sweated joints should be made prior to assembling piping to the filter head.
- Replace O-ring seal, if there is visible damage.
- Maximum temperature allowed is 38 °C (100 °F). Special hot water filters are available for higher temperatures.
- Protect the filters from freezing temperatures.
- DO NOT install in direct sunlight.
- Allow minimum of 2" clear space under filter to facilitate cartridge change.
- DO NOT use with water that is microbiologically unsafe or of unknown quality without adequate disinfection before or after the system.

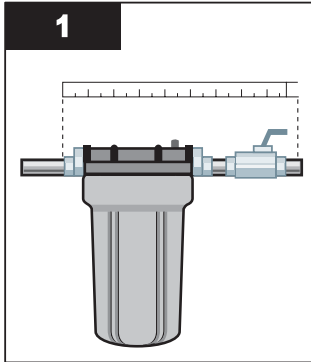
## 2.1 Installing Filter on Water Line

### NOTICE

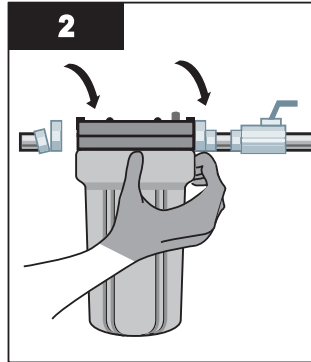
Before starting, shut off the main water supply and drain pipes.

**Note:** Filter can be adapted to various pipes by using reducing adapters on either end. Installation fittings can be sweated or threaded. Use galvanized fittings for installation on galvanized pipe.

#### Procedure:

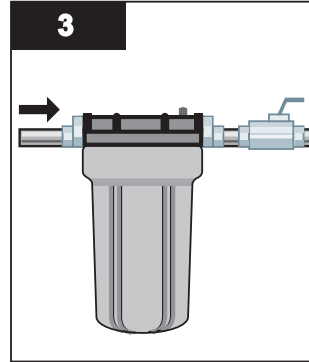


- Loose fit all parts and calculate length of pipe to be removed.
- Cut the pipe and install fittings.

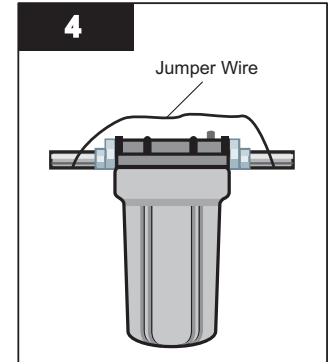


- Screw filter to the adapter after covering the threads with Teflon™ tape and make a tight connection but do not over tighten.

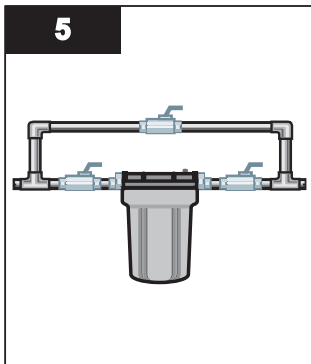
**Note:** If space is limited remove sump from head while making connection.



- Connect and tighten, making sure filter is in a straight vertical position.



**Note:** If water pipes are used to ground electrical system, appliances, or phone, install a jumper wire.



#### By-pass section:

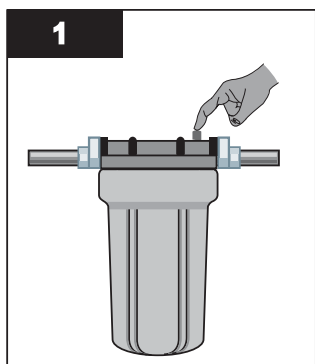
- Can be installed around unit if desired using either threaded or sweated fittings.

## Section 3 Maintenance

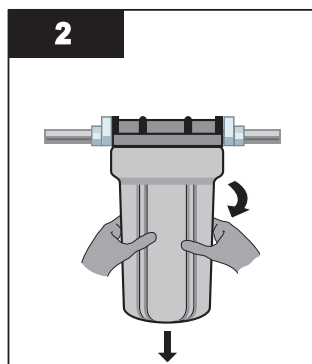
### 3.1 Cartridge Replacement

Replace cartridge when there is a noticeable drop in water flow at the faucet or tap.

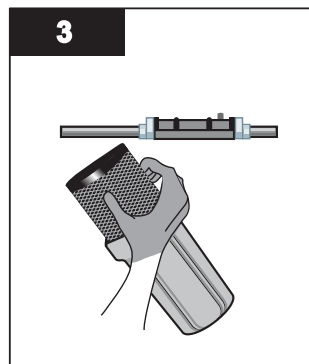
Procedure:



- Shut off inlet and outlet valves.
- Depress pressure relief button on top of filter head to relieve pressure in filter.

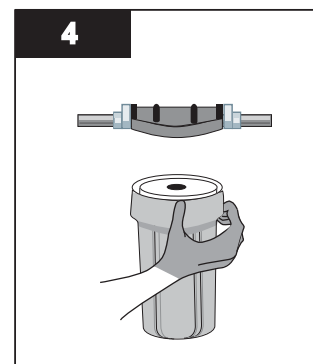


- Unscrew sump from outer head and remove cartridge emptying water from sump.





- Clean and inspect all components.
- Lubricate O-rings with a light coating of a silicone based lubricant. Replace O-ring seal if there is visible damage.
- Install new VIQUA cartridge into sump.

**Note:** VIQUA cartridges are designed and manufactured to provide the best possible performance. Use of non-VIQUA cartridges may result in system failure.



- Place lubricated O-ring on the sump.
  - Hand-tighten sump firmly onto the head until a definite stop is felt and the cartridge is sealed.
- Note:** Do not over-tighten the sump.
- Turn on inlet valve and depress pressure relief button until air is purged from filter.
  - Release button and turn on outlet valve.

## Section 4 Replacement Parts

Parts	Description	FB-34PR-PS FB-34PR FB2-34PR FC-34PR-PS	FC-34V	FB2-34PR
	Sediment	AWP110	AWP110	AWP110-2
	Taste/Odour	AWP117 or C-01	AWP117 or C-01	C-02
	O-ring	OR-4	OR-6	OR-8



425 Clair Rd. W, Guelph, Ontario, Canada N1L 1R1  
t. (+1) 519.763.1032 • tf. (+1) 800.265.7246 (US and Canada only)  
t. (+31) 73 747 0144 (Europe only) • f. (+1) 519.763.5069  
e-mail: [info@viqua.com](mailto:info@viqua.com)  
[www.viqua.com](http://www.viqua.com)